

OFT SERIES ROGOWSKI COIL



Features:

- ✓ High linearity from 1A to 100kA
- ✓ Wide dynamic range
- ✓ With a shield against the influence of external magnetic fields.
- ✓ No danger from open-circuited secondary.
- ✓ Not damaged by large overloads.
- ✓ Non-intrusive, no power drawn from the main.
- ✓ Measurement uniformity at any position of the conductor inside the coil.
- ✓ Ingress Protection Grade: IP65 or IP68

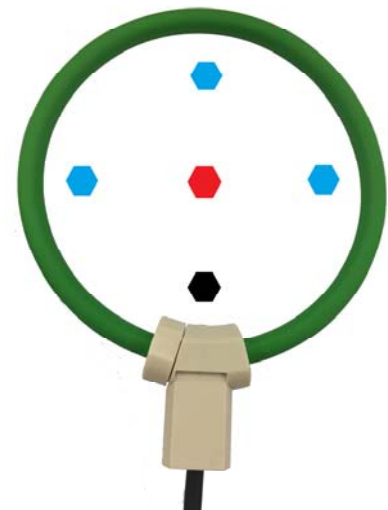
OFT is a current transformer based on Rogowski principle, particularly suitable for measurement in combination with portable devices.

OFT coils are available in different sizes and can be supplied according to customer's design. Therefore they can be used in all those applications, in which traditional transformers are not fitting due to its size and/or weight.

Due to its specific features, Rogowski coil is an extremely comfortable solution for current measurement and can be used in a number of cases where traditional current transformer is not the adequate solution.

Position sensitivity:

Conductor Position	Typical Error(%)
● Central In The Rogowski Loop	0.2%
● Adjacent To The Inside Coil Edge	<0.8%
● Adjacent To The Clip Together Mechanism	<1%



Applications:

1. Electricity meters
2. Power Quality analyzer
3. Lightning current detection system
4. Industrial electric furnace current measurement
5. Arc fault current measurement
6. Transmission line distributed fault detection system
7. Transient filter type fault indicator

Advantage:

1. Calibrated to 0.5%
2. 8mm section easy to install
3. Two layers shielded
4. Lower zero drift down to 0.1mV

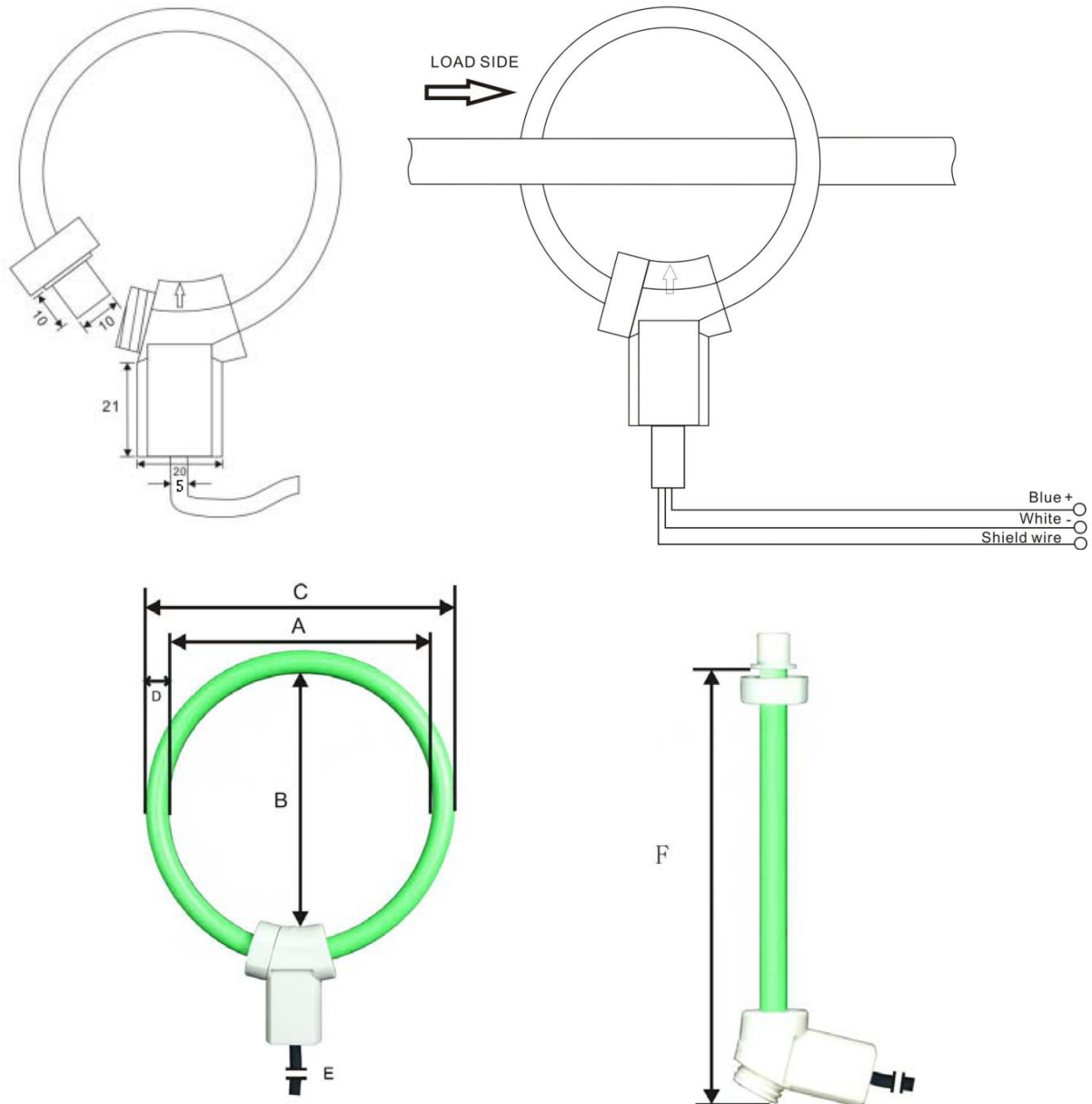
Material:

Coil & cable: Thermoplastic rubber
 Flame retardant UL 94 V-0 rated
 Coupling: PA6 UL 94 V-0 rated
 Color (coil): Green
 Shielded: 100% coil, 100% output cable

Characteristics:

MODEL		OFT-60	OFT-100	OFT-150	OFT-240
Reference Rated Current		600A	1000A	3000A	6000A
Ratio	Calibrated	85mV/kA@50Hz 100mV/kA@50Hz			50mV/kA @50Hz
	Uncalibrated	105mV/kA@50Hz			
Read Accuracy		Calibrated <0.5% (central position, 25°C) Uncalibrated < 5% tolerance (central position, 25°C)			
Maximum Current Measurable		100kA			
Coil Resistance		from 100 to 250 Ω			
Coil Section		8mm			
Lead Length		2meter			
Temperature		Uncalibrated 200ppm/C			
		Calibrated 400ppm/C			
Position Error		±1% maximum			
Output On 0A (Zero Drift)		≤0.1mV			
Phase Error		≤0.5°			
Linearity		±0.2% of reading			
Bandwidth		1Hz to 100kHz(-3dB)			
Operating Temperature		-30°C to 80°C			
Storage Temperature		-40°C to 90°C			

Dimensions tolerance: (A,B,C,F: ±5mm, D: ±0.2mm,E: ±10mm)



Dimensions(mm)	OFT-60	OFT-100	OFT-150	OFT-240
A. Windows Size A	50	105	155	245
B. Windows Size B	60	100	150	240
C. Coil O.D.	66	121	171	261
D. Cable Diameter	φ 8			
E. Cable Length (on request)	2000			
F. Coil Length	200	350	510	800
Net Weight (g)	110g	120g	130g	150g

The Order Specification Confirmation

- Rated Current : _____ A
- Inner Window Size : _____ mm
- Secondary Lead Length : _____ m
- Ingress Protection Grade: IP65 (Suitable for Calibrated & Uncalibrated Type)
IP68 (Suitable for Uncalibrated Type)

Product Type

1. Rogowski Coil ----- 【 】
 - ◆ Calibrated (IP65) ----- 【 】
(The product has the same output signal, but it will increase coil resistance)
 - ◆ Uncalibrated (IP65 & IP68)----- 【 】
(The product has different output signal)

IP65 ----- 【 】 IP68 ----- 【 】
2. Rogowski Coil with Integrator ----- 【 】
Rated Output: Rated Current / _____ mV AC (ex. 3000A / 333mV AC)